

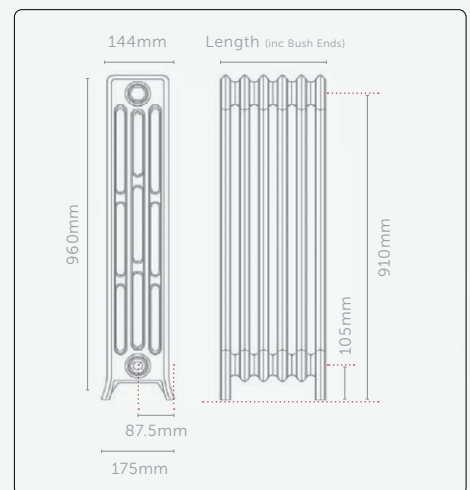
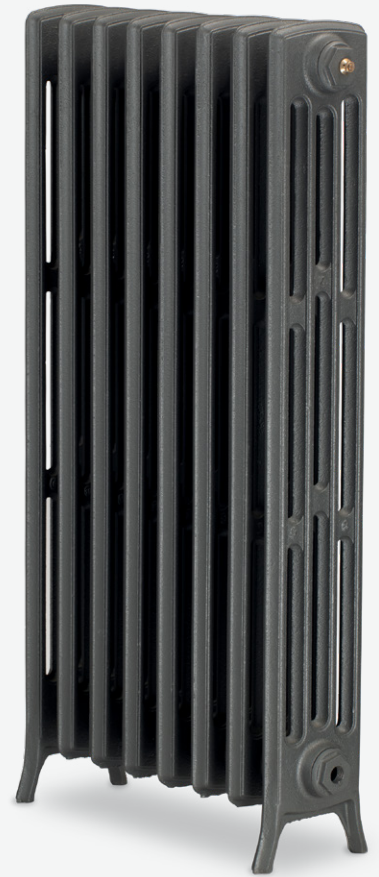
Neo Georgian

“Simplicity is the ultimate sophistication”, Leonardo Da Vinci”. The stylish but straightforward Neo Georgian column cast iron radiator echoes back to the era of the early 1900s. The classic clean lines of this elegant design mean that it is well suited for either the modern or period home setting. With options of 2, 4 and even 6 column depths, the heat output per section is substantial. With its clean and elegant design, The Neo Georgian column cast iron radiator is a popular choice for homes that were built during the Arts and Crafts era, which influenced Britain until the 1930s.

COLUMNS **HEIGHT** (Please select your required height to view heat output and specifications)

2 4 6 360 505 660 760 **960**

CODE/ SECTIONS	LENGTH	OUTPUT				WEIGHT (KG)	WATER CONTENT (LTRs)
		Dt60		Dt50			
		BTUs	WATTS	BTUs	WATTS		
GEO4-960-03	208	1652	484	1304	382	24	3.30
GEO4-960-04	269	2203	646	1739	510	31	4.40
GEO4-960-05	330	2754	807	2173	637	39	5.50
GEO4-960-06	391	3305	968	2608	764	47	6.60
GEO4-960-07	452	3855	1130	3043	892	55	7.70
GEO4-960-08	512	4406	1291	3478	1019	63	8.80
GEO4-960-09	573	4957	1453	3912	1147	71	9.90
GEO4-960-10	634	5508	1614	4347	1274	79	11.00
GEO4-960-11	695	6058	1776	4782	1401	86	12.10
GEO4-960-12	756	6609	1937	5216	1529	94	13.20
GEO4-960-13	816	7160	2098	5651	1656	102	14.30
GEO4-960-14	877	7711	2260	6086	1784	110	15.40
GEO4-960-15	938	8261	2421	6520	1911	118	16.50
GEO4-960-16	999	8812	2583	6955	2038	126	17.60
GEO4-960-17	1060	9363	2744	7390	2166	133	18.70
GEO4-960-18	1120	9914	2905	7824	2293	141	19.80
GEO4-960-19	1181	10464	3067	8259	2421	149	20.90
GEO4-960-20	1242	11015	3228	8694	2548	157	22.00
GEO4-960-21	1303	11566	3390	9128	2675	165	23.10
GEO4-960-22	1364	12117	3551	9563	2803	173	24.20
GEO4-960-23	1424	12667	3713	9998	2930	181	25.30
GEO4-960-24	1485	13218	3874	10433	3058	188	26.40
GEO4-960-25	1546	13769	4035	10867	3185	196	27.50
GEO4-960-26	1607	14320	4197	11302	3312	204	28.60
GEO4-960-27	1668	14870	4358	11737	3440	212	29.70
GEO4-960-28	1728	15421	4520	12171	3567	220	30.80
GEO4-960-29	1789	15972	4681	12606	3695	228	31.90
GEO4-960-30	1850	16523	4842	13041	3822	236	33.00
GEO4-960-31	1911	17073	5004	13475	3949	243	34.10
GEO4-960-32	1972	17624	5165	13910	4077	251	35.20
GEO4-960-33	2032	18175	5327	14345	4204	259	36.30
GEO4-960-34	2093	18726	5488	14779	4332	267	37.40
GEO4-960-35	2154	19276	5650	15214	4459	275	38.50
GEO4-960-36	2215	19827	5811	15649	4586	283	39.60
GEO4-960-37	2276	20378	5972	16083	4714	290	40.70
GEO4-960-38	2336	20929	6134	16518	4841	298	41.80
GEO4-960-39	2397	21479	6295	16953	4969	306	42.90
GEO4-960-40	2458	22030	6457	17388	5096	314	44.00



01205 280354

sales@paladinradiators.com

www.paladinradiators.com

Paladin Radiators, Langrick Road,
New York, Lincolnshire LN4 4XH



Maximum test pressure = 7.8 bar | Maximum working pressure = 6.0 bar